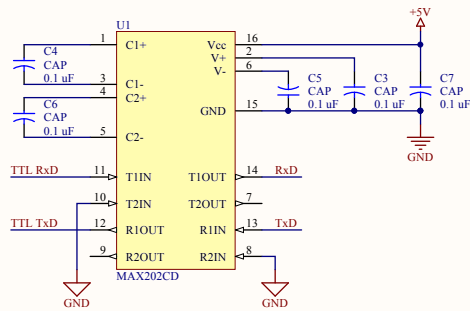
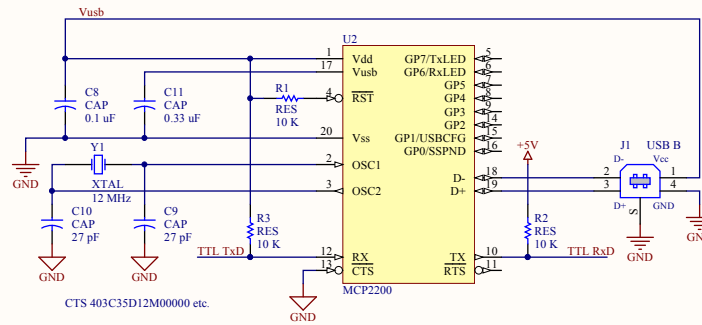


IDC PCB connectors:  
 Harting 0918110622 (\$1.36/ea, 217" above PCB, 130" pins)  
 Sullins SIP110-PPPC-D05-ST-BK (\$0.92/ea, 291" above PCB, 134" pins)



(\*not\* MAX202CDW, which is SOIC16W)



10K pull-ups hold serial pins at MARK if board and USB port are powered on at different times



Title <b>DLV11J to USB Serial Port</b>		
Size: B	Number:	Revision: A
Date: 5/3/2014	Time: 2:25:55 PM	Sheet 1 of 1
File: C:\Users\John Wilson\Documents\CAD\DLV\USB_SchDoc		



